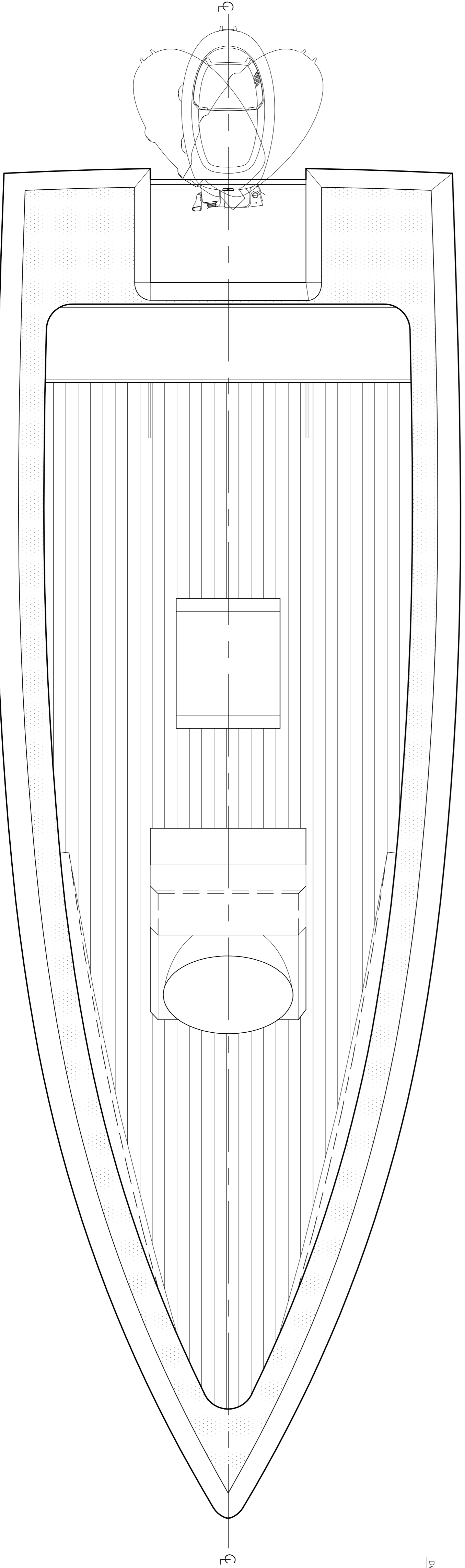
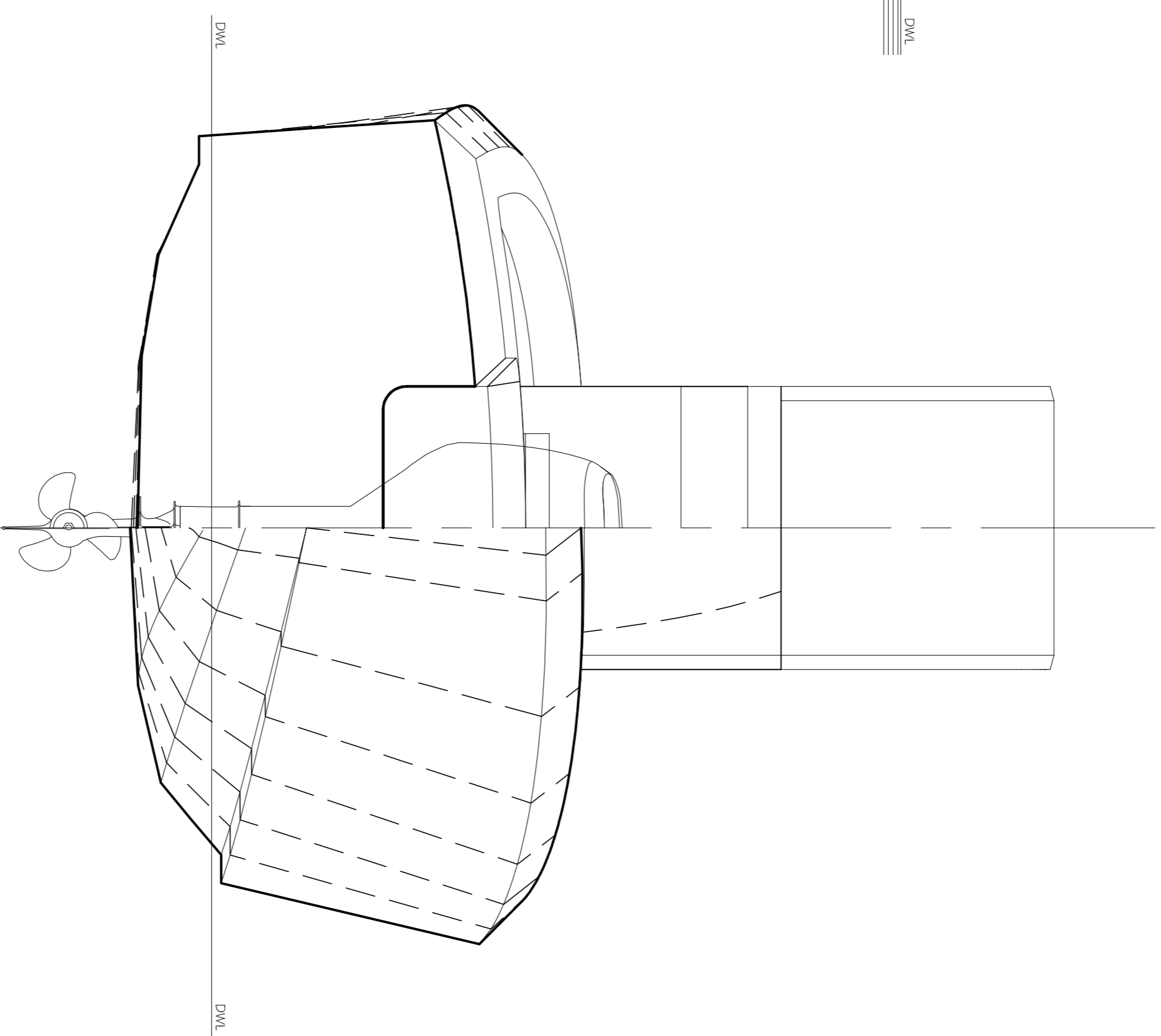


1 PROFILE VIEW  
SCALE 1:10




2 PLAN VIEW  
SCALE 1:10



3 SECTION VIEW  
SCALE 1:10

© Shayne Young APRIL 2009

Scale	Revision note	Date	Signature	Checked
P1	PRELIMINARY/ISSUE FOR COMMENT ONLY	1/10/09	SY	SY

 <b>SVAS PERFORMANCE</b> 16 Zan Zou Ct, Redlynch, Cairns, Queensland, Australia		QUANTITY: 1 SCALE: 1:10 @ A1 PROJECT: 09-005
<b>PROFILE</b> <b>EFFICIENT 5M POWER BOAT</b> <b>PRO BOAT MAGAZINE</b>		DWG NO.: 101 SHEET 1 of 1 DESIGN BY: SY DRAWN BY: SY